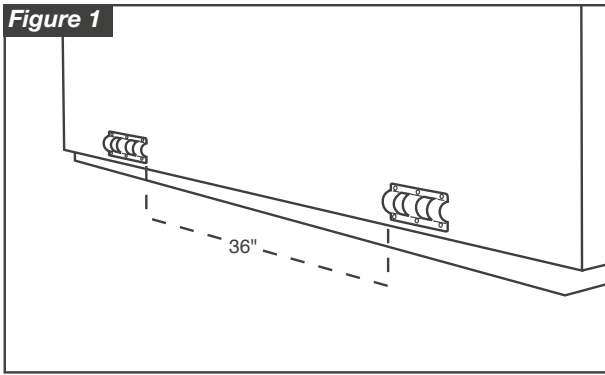


# COVERMATE *easy*

## Installation Instructions

Figure 1



### Step #1

Position the spa cover (in closed position) on the spa, making sure that all four corners are properly positioned and square on the spa.

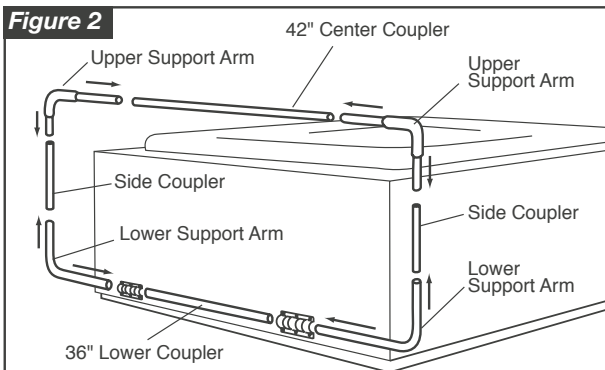
### Step #2

Using the #10 X 1 1/2" screws, attach the Mounting Brackets to the back side of the spa. (See Fig. 1)

**Note:** Space Mounting Brackets as far apart as possible with a minimum of 36".

**Caution:** To prevent splitting of wood cabinet, pre-drill holes with a 1/16" drill bit.

Figure 2



### Step #3

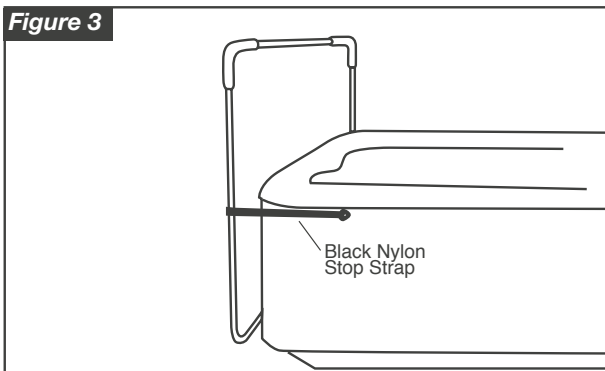
Insert the long end of the lower Support Arms into the Mounting Brackets to the back side of the spa. (See Fig. 2). Next, insert the upper Support Arms into the upper 42" Coupler Piece. Then join the upper Support Arm Section to the lower Support Arm Section sliding the short portion of the Support Arms into the side Coupler Piece. When joining the upper Support Arms to the lower Support Arm slip the black nylon Strap over the 36" side Coupler Piece.

**Note:** Place a #10 self tapping screw into the lower Support Arm next to the outside edge of each Mounting Bracket. This will prevent the Covermate from sliding left or right.

### Step #4

Lay the Covermate on the spa cover. Adjust and center the 42" upper Coupler Piece and Support Arms so that the Coupler Piece is lying parallel to the spa cover's hinge about a 1/2" away. Position the Side 36" Coupler Pieces in the center of the upper and lower Support Arms and attach with the #10 self tapping screws. Using the #10 self tapping screws, fasten all Support

Figure 3



Arms and Coupler Pieces together.

**Note:** Be sure to rotate the 42" upper Coupler Piece so that the inserted screws are at a horizontal angle with heads facing the back of the spa.

Repeat this procedure for the lower Coupler Piece.

### Step #5

After assembling the Covermate, motion it into the upright vertical position. Using a #10 screw attach the Black Nylon Stop Strap to the wood skirt of the spa. Next, position the opposite end of the Black Nylon Stop Strap on the Coupler Piece so that it is in a horizontal level position using a #10 self tapping screw, and screw strap into place. (See Fig. 3)

### Step #6

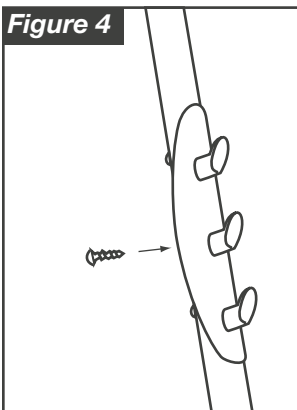
Slip the black hand grips to the edge of the spa cover and snap black plastic screw head covers on.

### Step #7

Attach the provided 3 hook TowelMate on the preferred side of your Covermate, by simply snapping it into place and inserting the middle self tapping screw. (See Fig. 5)

**You are done!**

Figure 4



**CAUTION!**

**Do not use the Covermate in high wind conditions (greater than 10 m.p.h.). Injury from the spa cover being blown over and impacting the spa user can occur.**